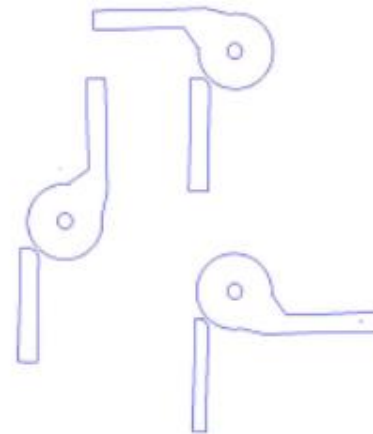
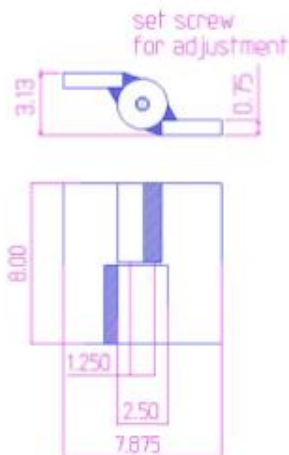
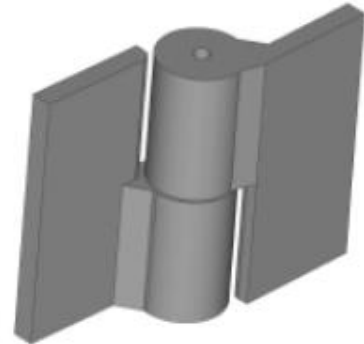


8" x 7 7/8" Heavy Duty Half Mortise Hinge

Model Number: 2125RH-316 Half Mortise

Price: \$ 1720

- Application: Half-mortise
- Type: Right-Hand
- Material Type: 316L Stainless Steel
- Maximum Door Weight: 8,000 LBS
- Maximum Radial Load: 3,300 LBS
- Mount: Weld-On or Bolt-On
- Approximate Width: 7 7/8"
- Height: 8"
- Weight: 23 LBS
- Service: Heavy Duty



Kiesler Machine Inc

13700 Chrissy Lane NE
Palmyra, IN. 47164-8768

Contact Info :

info@kieslermachine.com
Toll-Free : 888-565-6610
Phone : 812-364-6610



Smoother Than The Rest
Guaranteed!

Data Provided For Reference Only.